



# HD 3216T

PLASTIC HORN SPEAKER WITH DRIVER AND TRANSFORMER



**Description** The HD 3216/T are compact, lightweight and watertight horn speakers. They are designed to provide high efficiency and characterized by the high intelligibility of the reproduced sound with low distortion. The built-in line transformer makes it possible to connect the horn loudspeaker to both 70 and 100 V constant voltage lines, and select the delivered power by means of a rotary dial on the rear cover

- Features**
- › Built-in line transformer with multitap power selector on rear cover
  - › Hi-pass filter for protecting driver against out-of-range low-freq
  - › IP 66 construction for indoor-outdoor environmental temperature between -25°C to +70°C
  - › UV-stabilized autoextinguishing UL-HB ABS plastic
  - › Colour RAL 7035
  - › Stainless-Steel mounting hardware

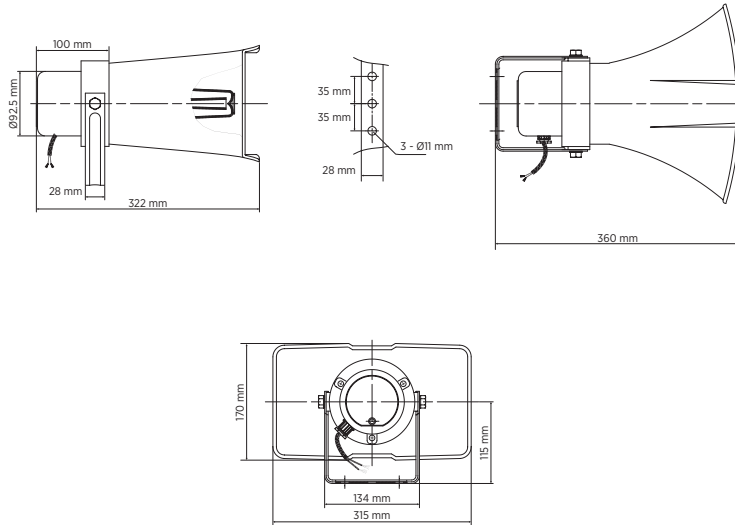
**Part Number** 13133037 HD 3216T Grey - RAL 7035 EAN 8024530001209



# HD 3216T

PLASTIC HORN SPEAKER WITH DRIVER AND TRANSFORMER

Line Art 2D



## TECHNICAL SPECIFICATIONS

<b>Acoustical specifications</b>	Frequency Response (-10dB)	250 Hz ÷ 10000 Hz
	Max SPL @ 1m	122 dB
	Horizontal coverage angle	130°
	Vertical coverage angle	60°
	System Sensitivity	108 dB
<b>Power section</b>	Nominal Impedance	8 ohm
	Power Handling	25 W
	Peak Power Handling	100 W PEAK
<b>Transducers</b>	Compression Driver	1 x 1.5"
<b>Input/Output section</b>	Input connectors	Cable
	Output connectors	Cable
	Constant Voltage Transformer	70/100 V
	Power selection 1	25 W - 400 ohm
	Power selection 2	20 W - 500 ohm
	Power selection 3	15 W - 667 ohm
	Power selection 4	10 W - 1000 ohm
Power selection 5	5 W - 2000 ohm	
Power selection 6 (100 V)	2.5 W - 4000 ohm	
<b>Standard compliance</b>	IP protection grade	IP 66
	Safety agency	CE compliant
<b>Physical specifications</b>	Cabinet/Case Material	ABS
	Hardware	Stainless steel U bracket
	Color	Grey - RAL 7035
<b>Size</b>	Height	170 mm / 6.69 inches
	Width	315 mm / 12.4 inches
	Depth	322 mm / 12.68 inches
	Weight	1.87 kg / 4.12 lbs